

LED INDICATOR

THREE LEAD BI-COLOR PANEL MOUNT



Models ML1623-S & ML1633-S

Designed for use as function indicators on aircraft, test equipment, machine tools and wherever severe environmental conditions need to be met, especially vibration and EMI.

FEATURES

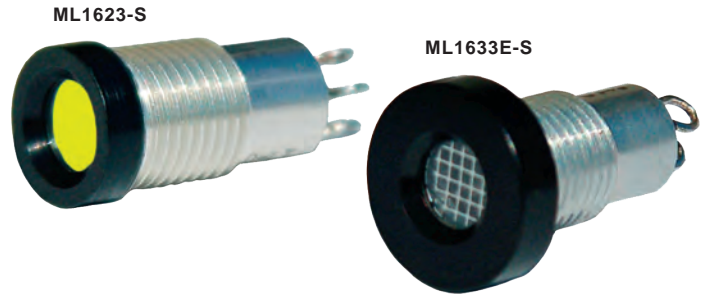
- Multiple status indication within a single package
- Performs in severe environments
- Low power use
- Rugged construction
- Panel mounted
- Optional EMI screen

MECHANICAL SPECIFICATIONS

Case: Aluminum, black anodized front with clear chromate back

Mounting: Front panel by 5/16"-32 nut and lockwasher

Seal: Environmentally sealed. Added front panel O-ring seal for model ML1633.



ENVIRONMENTAL SPECIFICATIONS

Vibration: .06" D.A. or 20 Gs Peak, whichever is less, 10Hz to 2kHz, MIL STD 202, Method 204, Test Condition D

Shock: 100 Gs MIL STD 202, Method 213, Test Condition I

Moisture Resistance (Humidity): MIL STD 202, Method 106

Barometric Pressure (Reduced): 100,000 ft., MIL STD 202, Method 105, Test Condition D

Reliability: 3 x 10⁶ hours min. MTBF @ 25°C

Salt Atmosphere (Corrosion): MIL STD 202, Method 101, Test Condition B

ELECTRO-OPTICAL CHARACTERISTIC SPECIFICATIONS

Absolute Maximum Ratings @Temp = 25°C					
Color		Red / Green		Yellow / Green	
Forward Voltage (VDC) typical @ 20 mA		1.7	2.2	2.1	2.2
Peak Forward Current (mA) ①		150	150	150	150
DC Forward Current (mA)		30	25	30	25
Reverse Voltage (VDC) @ I _R = 100 µA		5	5	5	5
Power Dissipation (mW) ②		100	105	100	105
Luminous Intensity (mcd) typical @ I _F = 20 mA DC	Non-diffused	500	140	NA	NA
	Diffused	200	60	150	60
Dominant Wave Length (nm) typical		640	568	588	568
Viewing Angle (2 Ø ^{1/2}) typical	Non-diffused	30°		30°	
	Diffused	60°		60°	
Operating Temperature (°C)		-40 to +85		-40 to +85	
Storage Temperature (°C)		-55 to +100		-55 to +100	
Lead Soldering Temperature		260°C for 5 seconds			

Notes: ① Typical pulsing values: t_p ≤ 10 µsec, Duty cycle = 10%
 ② Derate at 1.6 mW/°C above +25°C Ambient

*These characteristics reflect the baseline model. Variations may imply a difference in luminous characteristics and/or operability features. Please contact the EDI Sales Department for more information.

This page consists of basic marketing information that is not defined as technical data under EAR Part 772.

LED INDICATOR THREE LEAD BI-COLOR PANEL MOUNT



ORDERING INFORMATION

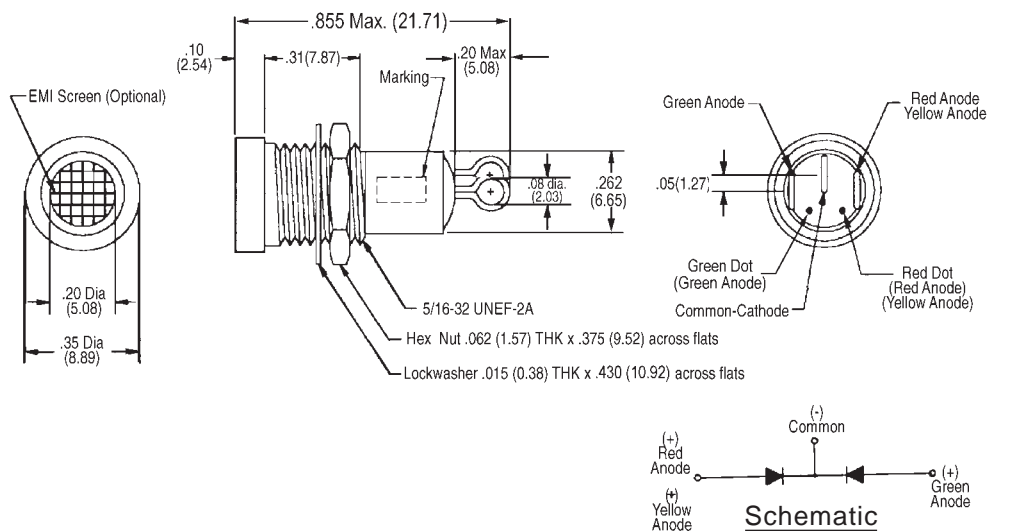
When ordering, show model number first, followed by EMI screen, then LED color, lens type, and terminal style. If this is a special part, a factory assigned modification number will be added at the end of the ordering number. Consult the factory for special configurations.

Example: Basic model without an O-ring panel seal, with an EMI screen, a yellow/green LED, a diffused lens, and loop terminals would be an ML1623E-SY/SG-D-LT.

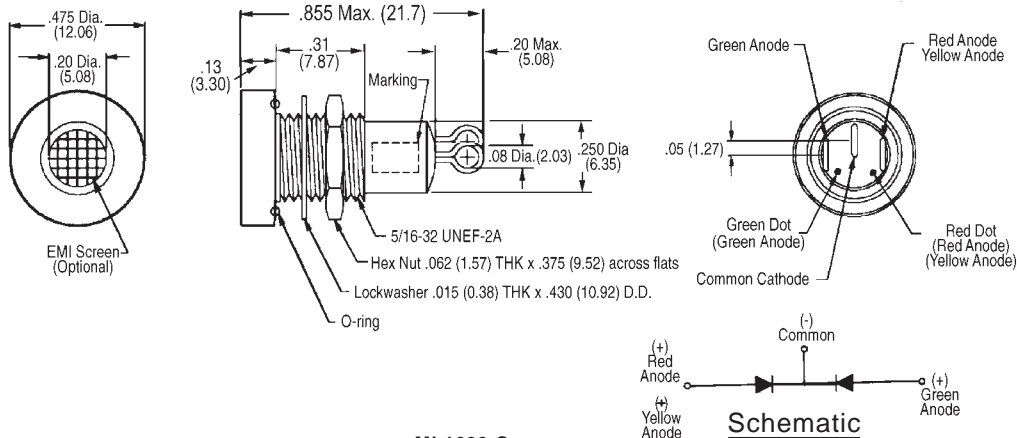
ML1623E - SY/SG - D - LT - ()

Standard factory options are designated by "-Sxxx"

Basic Model Number	EMI Screen	LED Color	Lens Type	Terminal Style
ML1623 (w/o O-ring)	() None	SR/SG Red/Green	ND Non-diffused	ST Straight Leads
ML1633 (with O-ring)	E Screen	SY/SG Yellow/Green	D Diffused	LT Loop Terminals



ML1623-S



ML1633-S
with front panel O-ring

NOTE: Dimensions in () are mm. Tolerances: Decimals: ± .010 (0.25)
Fractions: ± 1/64 Mounting Torque: 5-7 in. lbs.

This page consists of basic marketing information that is not defined as technical data under EAR Part 772.